

TIA STANDARD

Introduction to cdma2000[®] Spread Spectrum Systems – Addendum 1

TIA-2000.1-D-1[E]

January 2006

TELECOMMUNICATIONS INDUSTRY ASSOCIATION



The Telecommunications Industry Association
represents the communications sector of



NOTICE

TIA Engineering Standards and Publications are designed to serve the public interest through eliminating misunderstandings between manufacturers and purchasers, facilitating interchangeability and improvement of products, and assisting the purchaser in selecting and obtaining with minimum delay the proper product for their particular need. The existence of such Standards and Publications shall not in any respect preclude any member or non-member of TIA from manufacturing or selling products not conforming to such Standards and Publications. Neither shall the existence of such Standards and Publications preclude their voluntary use by Non-TIA members, either domestically or internationally.

Standards and Publications are adopted by TIA in accordance with the American National Standards Institute (ANSI) patent policy. By such action, TIA does not assume any liability to any patent owner, nor does it assume any obligation whatever to parties adopting the Standard or Publication.

This Standard does not purport to address all safety problems associated with its use or all applicable regulatory requirements. It is the responsibility of the user of this Standard to establish appropriate safety and health practices and to determine the applicability of regulatory limitations before its use.

(From Standards Proposal No. 3-4693-RV4-AD1[E], formulated under the cognizance of the TIA TR-45.5 Subcommittee on Spread Spectrum Digital Technology).

Published by

©TELECOMMUNICATIONS INDUSTRY ASSOCIATION
Standards and Technology Department
2500 Wilson Boulevard
Arlington, VA 22201 U.S.A.

**PRICE: Please refer to current Catalog of
TIA TELECOMMUNICATIONS INDUSTRY ASSOCIATION STANDARDS
AND ENGINEERING PUBLICATIONS
or call Global Engineering Documents, USA and Canada
(1-800-854-7179) International (303-397-7956)
or search online at http://www.tiaonline.org/standards/search_n_order.cfm**

All rights reserved
Printed in U.S.A.

NOTICE OF COPYRIGHT

This document is copyrighted by the TIA.

Reproduction of these documents either in hard copy or soft copy (including posting on the web) is prohibited without copyright permission. For copyright permission to reproduce portions of this document, please contact TIA Standards Department or go to the TIA website (www.tiaonline.org) for details on how to request permission. Details are located at:

<http://www.tiaonline.org/about/faqDetail.cfm?id=18>

OR

Telecommunications Industry Association
Standards & Technology Department
2500 Wilson Boulevard, Suite 300
Arlington, VA 22201 USA
+1(703)907-7700

Organizations may obtain permission to reproduce a limited number of copies by entering into a license agreement. For information, contact:

Global Engineering Documents
15 Inverness Way East
Englewood, CO 80112-5704 or call
U.S.A. and Canada (1-800-854-7179)
International (303) 397-7956

NOTICE OF DISCLAIMER AND LIMITATION OF LIABILITY

The document to which this Notice is affixed (the "Document") has been prepared by one or more Engineering Committees or Formulating Groups of the Telecommunications Industry Association ("TIA"). TIA is not the author of the Document contents, but publishes and claims copyright to the Document pursuant to licenses and permission granted by the authors of the contents.

TIA Engineering Committees and Formulating Groups are expected to conduct their affairs in accordance with the TIA Engineering Manual ("Manual"), the current and predecessor versions of which are available at http://www.tiaonline.org/standards/sfg/engineering_manual.cfm. TIA's function is to administer the process, but not the content, of document preparation in accordance with the Manual and, when appropriate, the policies and procedures of the American National Standards Institute ("ANSI"). TIA does not evaluate, test, verify or investigate the information, accuracy, soundness, or credibility of the contents of the Document. In publishing the Document, TIA disclaims any undertaking to perform any duty owed to or for anyone.

If the Document is identified or marked as a project number (PN) document, or as a standards proposal (SP) document, persons or parties reading or in any way interested in the Document are cautioned that: (a) the Document is a proposal; (b) there is no assurance that the Document will be approved by any Committee of TIA or any other body in its present or any other form; (c) the Document may be amended, modified or changed in the standards development or any editing process.

The use or practice of contents of this Document may involve the use of intellectual property rights ("IPR"), including pending or issued patents, or copyrights, owned by one or more parties. TIA makes no search or investigation for IPR. When IPR consisting of patents and published pending patent applications are claimed and called to TIA's attention, a statement from the holder thereof is requested, all in accordance with the Manual. TIA takes no position with reference to, and disclaims any obligation to investigate or inquire into, the scope or validity of any claims of IPR. TIA will neither be a party to discussions of any licensing terms or conditions, which are instead left to the parties involved, nor will TIA opine or judge whether proposed licensing terms or conditions are reasonable or non-discriminatory. TIA does not warrant or represent that procedures or practices suggested or provided in the Manual have been complied with as respects the Document or its contents.

TIA does not enforce or monitor compliance with the contents of the Document. TIA does not certify, inspect, test or otherwise investigate products, designs or services or any claims of compliance with the contents of the Document.

ALL WARRANTIES, EXPRESS OR IMPLIED, ARE DISCLAIMED, INCLUDING WITHOUT LIMITATION, ANY AND ALL WARRANTIES CONCERNING THE ACCURACY OF THE CONTENTS, ITS FITNESS OR APPROPRIATENESS FOR A PARTICULAR PURPOSE OR USE, ITS MERCHANTABILITY AND ITS NON-INFRINGEMENT OF ANY THIRD PARTY'S INTELLECTUAL PROPERTY RIGHTS. TIA EXPRESSLY DISCLAIMS ANY AND ALL RESPONSIBILITIES FOR THE ACCURACY OF THE CONTENTS AND MAKES NO REPRESENTATIONS OR WARRANTIES REGARDING THE CONTENT'S COMPLIANCE WITH ANY APPLICABLE STATUTE, RULE OR REGULATION, OR THE SAFETY OR HEALTH EFFECTS OF THE CONTENTS OR ANY PRODUCT OR SERVICE REFERRED TO IN THE DOCUMENT OR PRODUCED OR RENDERED TO COMPLY WITH THE CONTENTS.

TIA SHALL NOT BE LIABLE FOR ANY AND ALL DAMAGES, DIRECT OR INDIRECT, ARISING FROM OR RELATING TO ANY USE OF THE CONTENTS CONTAINED HEREIN, INCLUDING WITHOUT LIMITATION ANY AND ALL INDIRECT, SPECIAL, INCIDENTAL OR CONSEQUENTIAL DAMAGES (INCLUDING DAMAGES FOR LOSS OF BUSINESS, LOSS OF PROFITS, LITIGATION, OR THE LIKE), WHETHER BASED UPON BREACH OF CONTRACT, BREACH OF WARRANTY, TORT (INCLUDING NEGLIGENCE), PRODUCT LIABILITY OR OTHERWISE, EVEN IF ADVISED OF THE POSSIBILITY OF SUCH DAMAGES. THE FOREGOING NEGATION OF DAMAGES IS A FUNDAMENTAL ELEMENT OF THE USE OF THE CONTENTS HEREOF, AND THESE CONTENTS WOULD NOT BE PUBLISHED BY TIA WITHOUT SUCH LIMITATIONS.

1
2
3
4
5
6
7
8
9
10
11
12
13
14
15
16
17
18
19
20
21
22
23
24
25
26
27

CONTENTS

1 OVERVIEW..... 1-1

1.1 The cdma2000 Family of Standards..... 1-1

1.1.1 Purpose..... 1-1

1.1.2 Architecture 1-2

1.2 Relationship to TIA/EIA-95-B 1-7

1.3 cdma2000 References 1-7

1.4 Informative References 1-9

1.5 Support of Multiple Band Classes 1-10

2 COMMON ASPECTS 2-1

2.1 Verbal Forms 2-1

2.2 Channel Naming Conventions..... 2-1

2.2.1 Logical Channel Naming Convention 2-1

2.2.2 Physical Channel Naming Convention 2-1

2.3 Definitions of Terms..... 2-3

2.4 Constants 2-3

FIGURES

Figure 1 cdma2000 Architecture 1-3

Figure 2 cdma2000 Architecture (Mobile Station) 1-6

TABLES

Table 1. Naming Conventions for Logical Channels 2-1

Table 2. Physical Channel Names 2-2

Table 3. cdma2000 Constants 2-3

- 1
- 2 No text
- 3

1 OVERVIEW

1.1 The cdma2000 Family of Standards

The cdma2000®¹ family of standards includes core air interface, minimum performance, and service standards (see [section 1.3](#)). The cdma2000 air interface standards specify a spread spectrum radio interface that uses Code Division Multiple Access (CDMA) technology to meet the requirements for Third Generation (3G) wireless communication systems. The core air interface standards in the family are [1, 2, 3, 4, 5]. In addition, the family includes a standard [6] that specifies analog operation, to support dual-mode mobile stations and base stations.

Throughout the remainder of this document, use of the term cdma2000 refers to the cdma2000 family [of standards](#).

1.1.1 Purpose

The technical requirements contained in cdma2000 form a compatibility standard for CDMA systems. They ensure that a mobile station can obtain service in a system manufactured in accordance with the cdma2000 standards. The requirements do not address the quality or reliability of that service, nor do they cover equipment performance or measurement procedures.

Compatibility, as used in connection with cdma2000, is understood to mean: any cdma2000 mobile station is able to place and receive calls in cdma2000 or IS-95 systems. Conversely, any cdma2000 system is able to place and receive calls for cdma2000 and IS-95 mobile stations. In a subscriber's home system, all call placement is automatic. Similarly, it is preferable for call placement to be automatic when a mobile station is roaming.

To ensure compatibility, both radio system parameters and call processing procedures are specified. The sequence of call processing steps that the mobile stations and base stations execute to establish calls is specified, along with the digital control messages and, for dual-mode systems, the analog signals that are exchanged between the two stations.

The base station is subject to different compatibility requirements than the mobile station. Radiated power levels, both desired and undesired, are fully specified for mobile stations, in order to control the RF interference that one mobile station can cause another. Base stations are fixed in location and their interference is controlled by proper layout and operation of the system in which the station operates. Detailed call processing procedures are specified for mobile stations to ensure a uniform response to all base stations. Base station procedures, which do not affect the mobile stations' operation, are left to the

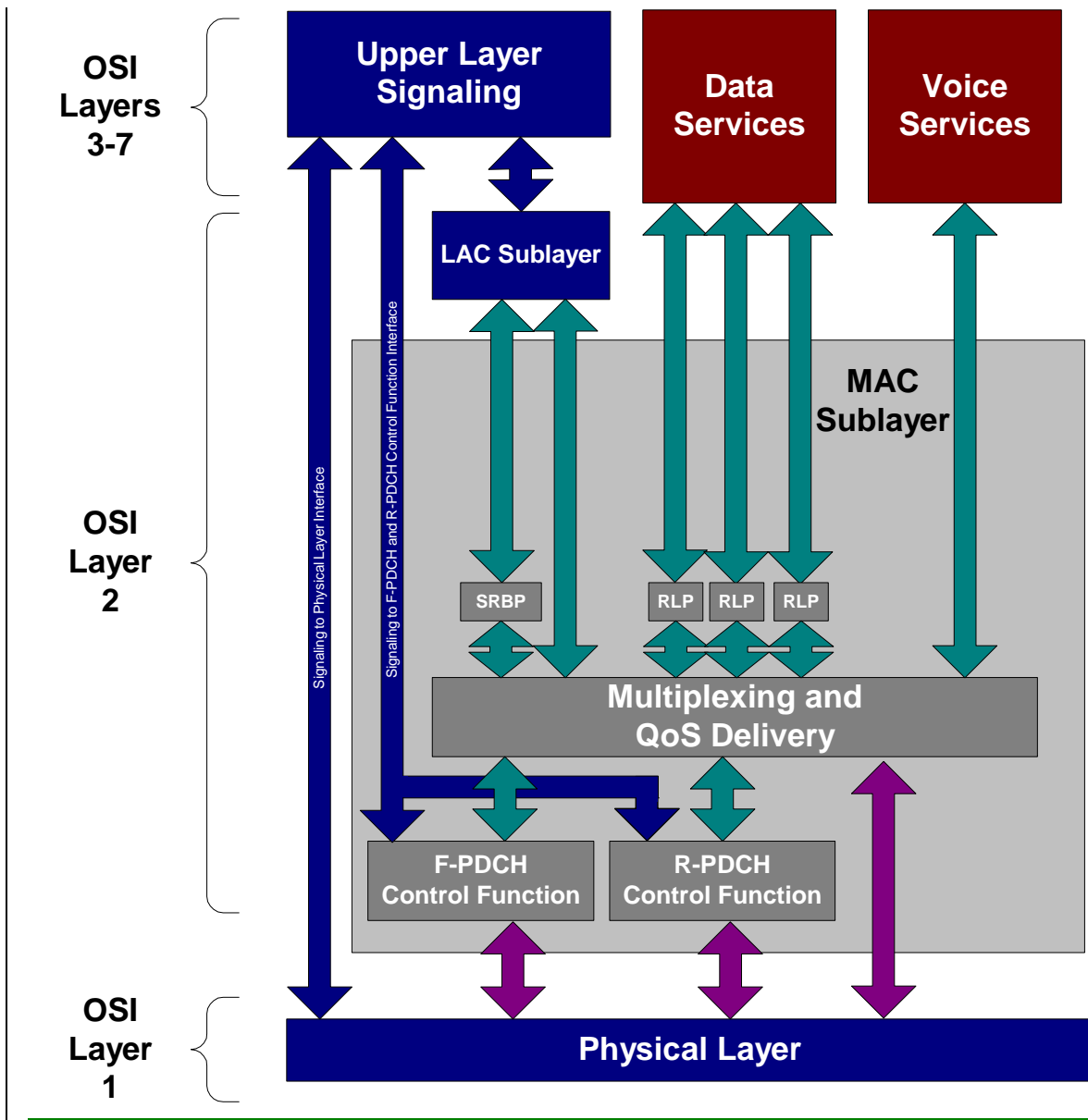
¹ cdma2000® is the trademark for the technical nomenclature for certain specifications and standards of the Organizational Partners (OPs) of 3GPP2 Geographically (and as of the date of publication), cdma2000® is a registered trademark of the Telecommunication Industry Association (TIA-USA) in the United States.

1 designers of the overall land system. This approach to writing the compatibility
 2 specification is intended to provide the land system designer with sufficient flexibility to
 3 respond to local service needs and to account for local topography and propagation
 4 conditions.

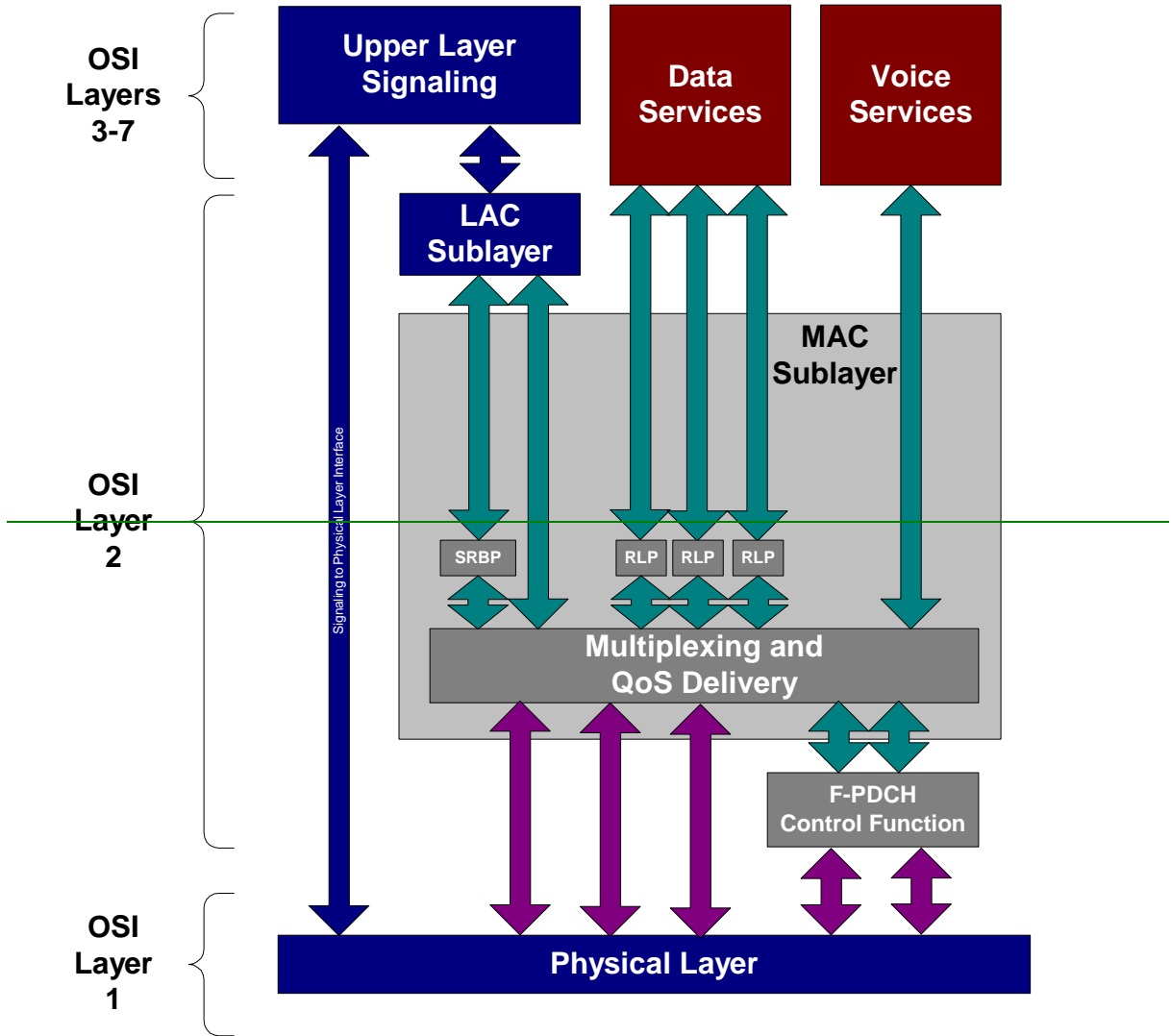
5 cdma2000 includes provisions for future service additions and expansion of system
 6 capabilities. This release of the cdma2000 family of standards supports Spreading Rate 1
 7 and Spreading Rate 3 operation (see [2]).

8 1.1.2 Architecture

9 Figure 1 depicts the general architecture of cdma2000. Development of the cdma2000
 10 family of standards has, to the greatest extent possible, adhered to the architecture by
 11 specifying different layers in different standards.



12



1

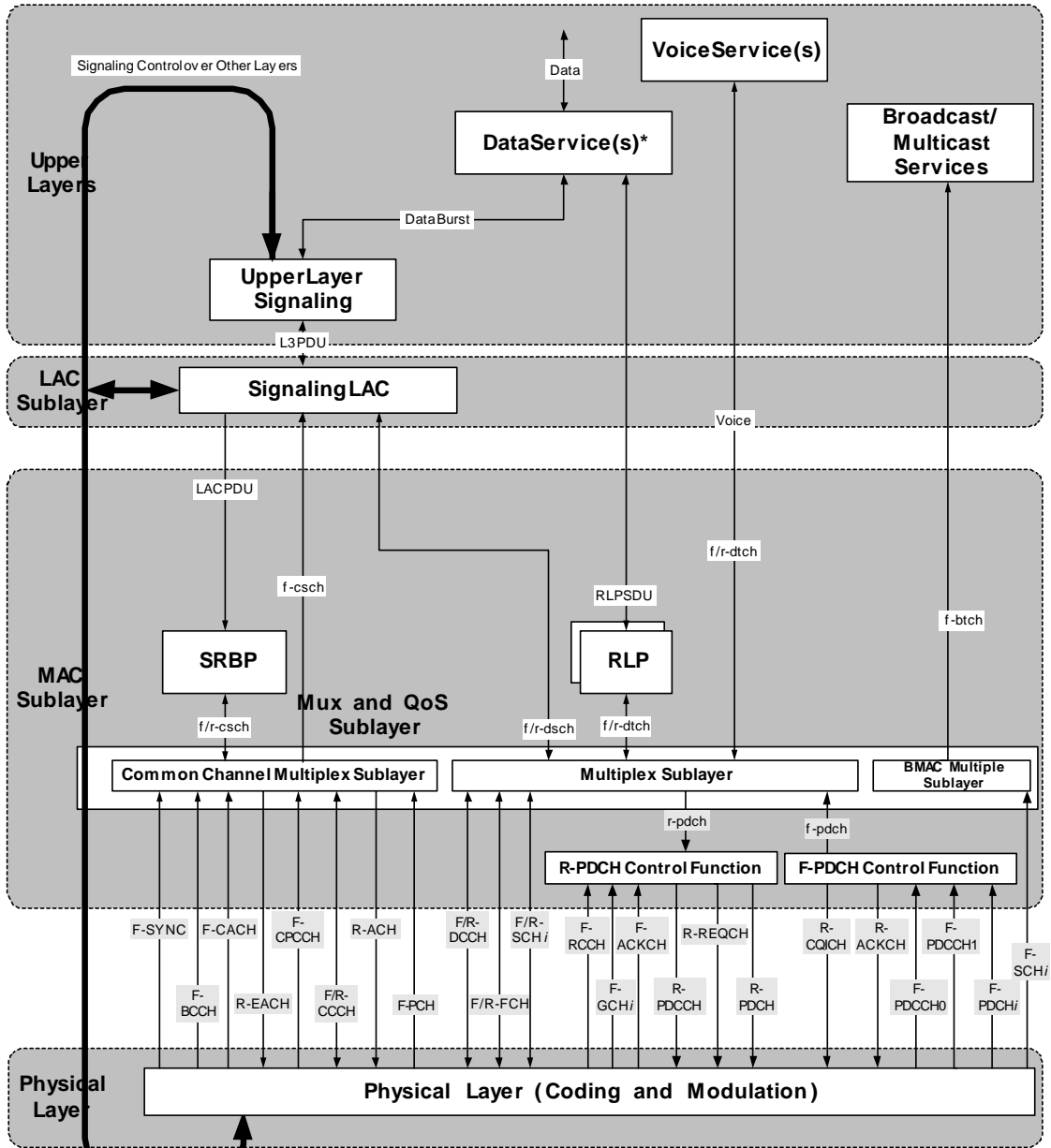
2

3

Figure 1 cdma2000 Architecture

4 The physical layer is specified in [2], the MAC in [3], the LAC in [4], and upper layer
 5 signaling in [5].

- 1 Figure 2 shows the logical and physical channel relationships from the mobile station
- 2 perspective.
- 3



*Data services may include a broadcast/multicast service that operates as a connected data service instance.

1

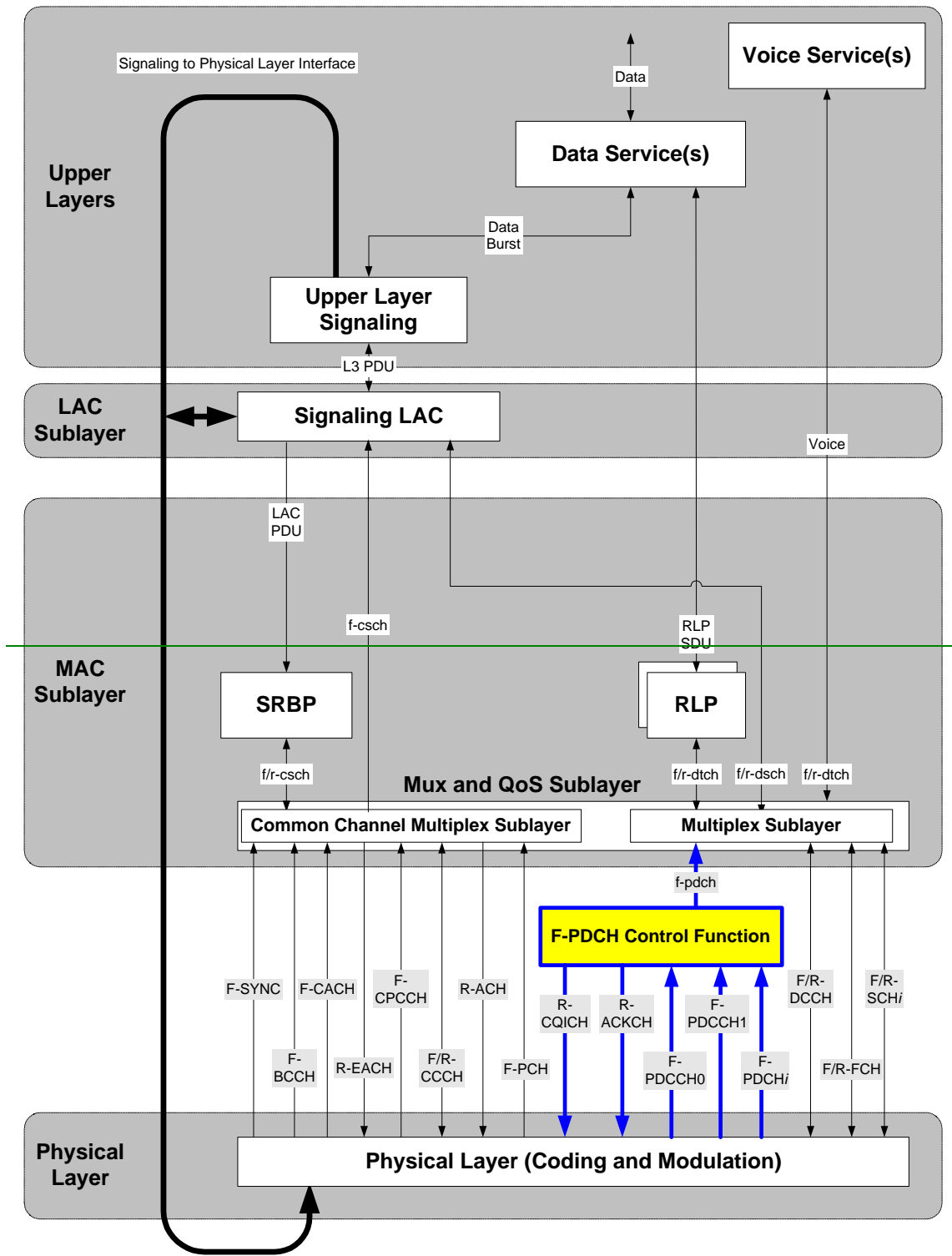


Figure 2 cdma2000 Architecture (Mobile Station)

1
2
3

1.2 Relationship to TIA/EIA-95-B

cdma2000 provides full backward compatibility with TIA/EIA-95-B. Backward compatibility permits cdma2000 infrastructure to support TIA/EIA-95-B mobile stations and permits cdma2000 mobile stations to operate in TIA/EIA-95-B systems.

The cdma2000 family also supports reuse of existing TIA/EIA-95-B service standards, such as those that define speech services, data services, Short Message Services, and Over the Air Provisioning and Activation services, with the cdma2000 physical layer.

cdma2000 supports handoff of voice and data calls and other services from a TIA/EIA-95-B system to a cdma2000 system:

- At a handoff boundary and within a single frequency band,
- At a handoff boundary and between frequency bands (assuming the mobile station has multi-band capability),
- Within the same cell footprint and within a single frequency band, and
- Within the same cell footprint and between frequency bands (assuming the mobile station has multi-band capability).

cdma2000 supports handoff of voice and data calls and other services² from a cdma2000 system to a TIA/EIA-95-B system:

- At a handoff boundary and within a single frequency band,
- At a handoff boundary and between frequency bands (assuming the mobile station has multi-band capability),
- Within the same cell footprint and within a single frequency band, and
- Within the same cell footprint and between frequency bands (assuming the mobile station has multi-band capability).

1.3 cdma2000 References

The following list identifies the current versions of the standards in the cdma2000 family of standards.

1. [TIA-2000.1-D-1C-S0001-C-v1.2](#), *Introduction to cdma2000 Standards for Spread Spectrum Systems*, ~~May 2002~~[September 2005](#).
2. [TIA-2000.2-D-1C-S0002-C-v1.2](#), *Physical Layer Standard for cdma2000 Spread Spectrum Systems*, ~~September 2005~~[May 2002](#).
3. [TIA-2000.3-D-1C-S0003-C-v1.2](#), *Medium Access Control (MAC) Standard for cdma2000 Spread Spectrum Systems*, ~~September 2005~~[May 2002](#).
4. [TIA-2000.4-D-1C-S0004-C-v1.2](#), *Signaling Link Access Control (LAC) Standard for cdma2000 Spread Spectrum Systems*, ~~September 2005~~[May 2002](#).

² Assuming that the cdma2000 service can be appropriately mapped to a TIA/EIA-95-B service.

- 1 5. [TIA-2000.5-D-1C.S0005-C-v1.0](#), Upper Layer (Layer 3) Signaling Standard for cdma2000
2 Spread Spectrum Systems, ~~September 2005~~May 2002.
- 3 6. [TIA-2000.6-D-1C.S0006-C-v1.0](#), Analog Signaling Standard for cdma2000 Spread
4 Spectrum Systems, ~~September 2005~~May 2002.
- 5 7. [TIA/EIA-96-CC.S0009-0](#), Speech Service Option Standard for Wideband Spread
6 Spectrum Systems, ~~November August 1999~~1998.
- 7 8. [TIA-97-FC.S0010-A](#), Recommended Minimum Performance Standard for Base Stations
8 Supporting Dual-Mode Spread Spectrum Cellular Mobile Stations, ~~April 2001~~March 2005.
- 9 9. [TIA-98-FC.S0011-A](#), Recommended Minimum Performance Standards for Dual-Mode
10 Spread Spectrum Cellular Mobile Stations, ~~July 2005~~April 2001.
- 11 10. [TIA/EIA-125-AC.S0012-0](#), Recommended Minimum Performance Standard for Digital
12 Cellular Wideband Spread Spectrum Speech Service Option 1, ~~March, August~~ 2000.
- 13 11. [TIA/EIA-126-DC.S0013-A](#), Mobile Station Loopback Service Options Standard, ~~November~~
14 ~~2002~~June 2001.
- 15 12. [TIA/EIA-637-AC.S0015-A](#), Short Message Service for Spread Spectrum Systems,
16 ~~February September 1999~~2002.
- 17 ~~13.C.S0014-0, Enhanced Variable Rate Codec, Speech Service Option 3 for Wideband Spread~~
18 ~~Spread Spectrum Digital Systems, January 1997.~~
- 19 ~~14.C.S0014-0-1, Enhanced Variable Rate Codec, Speech Service Option 3 for Wideband~~
20 ~~Spread Spectrum Digital Systems – Addendum 1, August, 1998.~~
- 21 ~~15.13. TIA-127-AC.S0014-0-2, Enhanced Variable Rate Codec, Speech Service Option 3 for~~
22 ~~Wideband Spread Spectrum Digital Systems – Addendum 2, April 2001~~May 2004.
- 23 ~~16.14. TIA/EIA/IS-657, Packet Data Service Option Standard for Wideband Spread Spectrum~~
24 ~~Systems, July, 1996.~~
- 25 ~~17.15. TIA-683-CC.S0016-A, Over-the-Air Service Provisioning of Mobile Stations in Spread~~
26 ~~Spectrum Systems, December 2001~~March 2003.
- 27 ~~18.16. C.S0017-0~~[TIA/EIA/IS-707-A](#), Data Service Options for Spread Spectrum Systems,
28 April, 1999.
- 29 ~~19.17. C.S0017-0-1~~[TIA/EIA/IS-707-A-1](#), Data Service Options for Spread Spectrum Systems
30 – Addendum 1, ~~January 2000~~April 1999.
- 31 ~~20.18. C.S0017-0-2~~[TIA/EIA/IS-707-A-2](#), Data Service Options for Spread Spectrum Systems
32 – Addendum 2, ~~August 2000~~March 2001.
- 33 ~~21.19. TIA/EIA/IS-718C.S0018-0, Minimum Performance Standard for the Enhanced~~
34 ~~Variable Rate Codec, Speech Service Option 3 for Spread Spectrum Digital Systems,~~
35 ~~November July 1999~~1998.
- 36 ~~22.C.S0020-0, High Rate Speech Service Option 17 for Wideband Spread Spectrum~~
37 ~~Communication Systems, February 1998.~~

1 ~~23.20. C.S0020-0-1~~TIA/EID/IS-733-A, *High Rate Speech Service Option 17 for Wideband*
2 *Spread Spectrum Communication Systems* —~~Addendum 1~~, April 2001~~May 2004~~.

3 ~~24.21. TIA/EIA-736-AC.S0021-0~~, *Recommended Minimum Performance Standard for the*
4 *High Rate Speech Service Option 17 for Wideband Spread Spectrum Communication*
5 *Systems*, August 2000~~November 1999~~.

6 ~~25.22. TIA-801-AC.S0022-0~~, *Position Determination Service Standard for Dual-Mode Spread*
7 *Spectrum Systems*, March 2001~~April 2004~~.

8 23. ~~TIA-820-A-2C.S0023-0~~, *Removable User Identity Module (R-UM) for TIA/EIA Spread*
9 *Spectrum Systems*, June 2001~~February 2005~~.

10 24. TIA-856-A, *cdma2000 High Rate Packet Data Air Interface Specification*, April 2004.

11 25. TIA-98-F, *Recommended Minimum Performance Standards for cdma2000 Spread*
12 *Spectrum Mobile Station*, July 2005

13 26. TIA-1030, *Band Class Specification for cdma2000 Spread Spectrum Systems*, March
14 2004.

15 27. TIA-1082, *Mobile Station Equipment Identifier (MEID) Support for cdma2000 Spread*
16 *Spectrum Systems*, August 2005.

17 **1.4 Informative References**

18 The documents listed in this section are for information only.

19 —*American National Standards:*

20 1. TIA/EIA-95-B, *Mobile Station-Base Station Compatibility Standard for Wideband Spread*
21 *Spectrum Cellular Systems*, February, 1999.

22 2. TIA/EIA-664, *Cellular Features Description*, June, 1996.

23 —*Standards:*

24 3. ITU-T Recommendation P.76, *Determination of Loudness Ratings; Fundamental*
25 *Principles*, 1988.

26 4. ITU-T Recommendation P.78, *Subjective Testing Method for Determination of Loudness*
27 *Ratings in Accordance with Recommendation P.76: Telephone Transmission Quality*
28 *Measurements Related to Speech Loudness: Study Group 12*, March 1993.

29 5. ITU-T Recommendation P.79, *Calculation of Loudness Ratings for Telephone Sets :*
30 *Telephone Transmission Quality Measurements Related to Speech Loudness: Study Group*
31 *12*, March 1993.

32 6. EIA/IS-19-B, *Recommended Minimum Standards for 800-MHz Cellular Subscriber Units*,
33 May 1988.

34 7. EIA/IS-20-A, *Recommended Minimum Standards for 800-MHz Cellular Land Stations*,
35 May 1988.

36 8. TIA/EIA-660, *Uniform Dialing Procedures and Call Processing Treatment for Cellular*
37 *Radio Telecommunications*, July 1996.

1 9. ICD-GPS-200, *NAVSTAR GPS Space Segment/Navigation User Interfaces*, Interface
2 Control Document (ICD), Revision B, Unclassified, U.S. Air Force Space Division, Los
3 Angeles Air Force Station, CA, July 1991.

4 10. IEEE Standard 269-1992, *IEEE Standard Methods for Measuring Transmission*
5 *Performance of Analog and Digital Telephone Sets*, 1992.

6 —*Bulletins*:

7 11. TSB46, *Recommended Minimum Procedures for Validation of Authentication of IS-54-B*
8 *Mobile Stations*, March 1993.

9 12. TSB51, *Cellular Radio-Telecommunications Intersystem Operations: Authentication,*
10 *Signaling Message Encryption and Voice Privacy*, May 1993.

11 13. TSB64, *IS-41-B Support for Dual-Mode Wideband Spread Spectrum Mobile Stations*,
12 January 1994.

13 14. ~~TSB-58-FC-R1001-C~~, Administration of Parameter Value Assignments for TIA/EIA
14 Wideband Spread Spectrum Systems, ~~January 2002~~ January 2004.

15 15. ~~TSB-2000-C-R1000-0~~, *Capabilities Requirements Mapping for cdma2000 Standards*,
16 ~~November 1999~~ September 1999.

17 —*Other*:

18 16. *Total Access Communications System Mobile Station – Land Station Compatibility*
19 *Specification*, Issue 4, Amendment 1, Department of Trade and Industry, Radio
20 communications Division, London, October 1991.

21 17. RCR STD-36, *Analog Cellular Telecommunication System Based On TACS Method*,
22 October 1993.

23 —*Books*:

24 18. Knuth, Donald N., *The Art of Computer Programming*, 3 volumes, Reading, MA, Addison-
25 Wesley, 1998.

26 19. Park, Stephen K., and Miller, Keith W., “Random Number Generators: Good Ones are
27 Hard to Find,” *Communications of the ACM*, vol. 31, no. 10, October 1988.

28 **1.5 Support of Multiple Band Classes**

29 The cdma2000 family of standards supports operation in all the band classes defined in [2].
30 Signaling support is provided to enable transitions between band classes (e.g., handoffs,
31 service redirections) for mobile stations that are capable of operating in multiple band
32 classes.

2 COMMON ASPECTS

2.1 Verbal Forms

The following verbal forms are used in all cdma2000 standards. “Shall” and “shall not” identify requirements to be followed strictly to conform to the standard and from which no deviation is permitted. “Should” and “should not” indicate that one of several possibilities is recommended as particularly suitable, without mentioning or excluding others; that a certain course of action is preferred but not necessarily required; or (in the negative form) that a certain possibility or course of action is discouraged but not prohibited. “May” and “need not” indicate a course of action permissible within the limits of the standard. “Can” and “cannot” are used for statements of possibility and capability, whether material, physical, or causal.

2.2 Channel Naming Conventions

Many cdma2000 standards refer to logical channels, physical channels, or both. The following naming conventions apply to all cdma2000 standards.

2.2.1 Logical Channel Naming Convention

A logical channel name consists of three lower case letters followed by “ch” (channel). A hyphen is used after the first letter. Table 1 shows the naming conventions for the logical channels that are used in this family of standards.

Table 1. Naming Conventions for Logical Channels

| First Letter | Second Letter | Third letter |
|--------------------|----------------------|----------------------|
| f = Forward | d = Dedicated | t = Traffic |
| r = Reverse | c = Common | s = Signaling |

For example, the logical channel name for the Forward Dedicated Traffic Channel is f-dtch.

2.2.2 Physical Channel Naming Convention

Physical channels are represented by upper case abbreviations. As in the case of logical channels, the first letters in the names of the channels indicate the direction of the channel (i.e., forward or reverse) and is followed by a hyphen. Table 2 shows the names and meanings of all the physical channels designated in cdma2000.

1
2**Table 2. Physical Channel Names**

| Channel Name 1 | Physical Channel |
|-----------------------|--|
| F/R-FCH | Forward/Reverse Fundamental Channel |
| F/R-DCCH | Forward/Reverse Dedicated Control Channel |
| F/R-SCCH | Forward/Reverse Supplemental Code Channel |
| F/R-SCH | Forward/Reverse Supplemental Channel |
| F-PCH | Paging Channel |
| F-QPCH | Quick Paging Channel |
| R-ACH | Access Channel |
| F/R-CCCH | Forward/Reverse Common Control Channel |
| F/R-PICH | Forward/Reverse Pilot Channel |
| F-APICH | Dedicated Auxiliary Pilot Channel |
| F-TDPICH | Transmit Diversity Pilot Channel |
| F-ATDPICH | Auxiliary Transmit Diversity Pilot Channel |
| F-SYNCH | Sync Channel |
| F-CPCCH | Common Power Control Channel |
| F-CACH | Common Assignment Channel |
| R-EACH | Enhanced Access Channel |
| F-BCCH | Broadcast Control Channel |
| F-PDCH | Forward Packet Data Channel |
| F-PDCCH | Forward Packet Data Control Channel |
| R-ACKCH | Reverse Acknowledgement Channel |
| R-CQICH | Reverse Channel Quality Indicator Channel |
| <u>F-ACKCH</u> | <u>Forward Acknowledgement Channel</u> |
| <u>F-GCH</u> | <u>Forward Grant Channel</u> |
| <u>F-RCCH</u> | <u>Forward Rate Control Channel</u> |
| <u>R-PDCH</u> | <u>Reverse Packet Data Channel</u> |
| <u>F-PDCCH</u> | <u>Reverse Packet Data Control Channel</u> |
| <u>R-REQCH</u> | <u>Reverse Request Channel</u> |

1 The notations “F/R” and “Forward/Reverse” represent two different physical channels (i.e., one forward channel and one reverse channel)

1

2 For example, the physical channel name for the Forward Fundamental Channel is F-FCH.

3 **2.3 Definitions of Terms**4 Each cdma2000 volume contains a definition of terms proper to that volume. An attempt
5 has been made to use the same definitions for the same terms across the family of
6 volumes.7 **2.4 Constants**8 Table 3 lists the constants defined in various cdma2000 volumes and identifies the
9 standard in which the constant is defined.

10

Table 3. cdma2000 Constants

| Constant | Reference |
|------------------------|------------|
| N _{1m} | [4] |
| N _{2m} | [5] |
| N _{3m} | [5] |
| N _{4m} | [5] |
| N _{5m} | [5] |
| N _{6m} | [5] |
| N _{7m} | [5] |
| N _{8m} | [5] |
| N _{9m} | [5] |
| N _{10m} | [5] |
| N _{11m} | [5] |
| N _{12m} | [5] |
| N _{13m} | [5] |
| N _{14m} | [4] |
| N _{15m} | [4] |
| N _{16m} | [5] |
| N _{17m} | [5] |
| N _{18m} | [5] |
| <u>N_{19m}</u> | <u>[5]</u> |

| | |
|-----------------------|------------|
| T _{1b} | [5] |
| T _{2b} | [5] |
| T _{3b} | [5] |
| T _{4b} | [5] |
| T _{4b} | [5] |
| <u>T_{5b}</u> | <u>[5]</u> |
| T _{1m} | [4] |
| T _{2m} | [4] |
| T _{3m} | [4] |
| T _{4m} | [4] |
| T _{5m} | [5] |
| T _{20m} | [5] |
| T _{21m} | [5] |
| T _{30m} | [5] |
| T _{31m} | [5] |
| T _{32m} | [5] |
| T _{33m} | [5] |
| T _{34m} | [5] |
| T _{35m} | [5] |
| T _{36m} | [5] |
| T _{37m} | [5] |
| T _{38m} | [5] |
| T _{39m} | [5] |
| T _{40m} | [5] |
| T _{41m} | [5] |
| T _{42m} | [5] |
| T _{50m} | [5] |
| T _{51m} | [5] |
| T _{52m} | [5] |
| T _{53m} | [5] |
| T _{54m} | [5] |

| | |
|-------------|------------|
| T55m | [5] |
| T56m | [5] |
| T57m | [5] |
| T58m | [5] |
| T59m | [5] |
| T60m | [5] |
| T61m | [5] |
| T62m | [5] |
| T63m | [5] |
| T64m | [5] |
| T65m | [5] |
| T66m | [5] |
| T68m | [5] |
| T69m | [5] |
| T70m | [5] |
| T71m | [5] |
| T72m | [5] |
| T73m | [5] |
| T74m | [5] |
| T75m | [4] |
| T76m | [4] |
| T77m | [4] |
| T78m | [5] |
| <u>T79m</u> | <u>[5]</u> |
| <u>T80m</u> | <u>[5]</u> |
| <u>T81m</u> | <u>[5]</u> |

